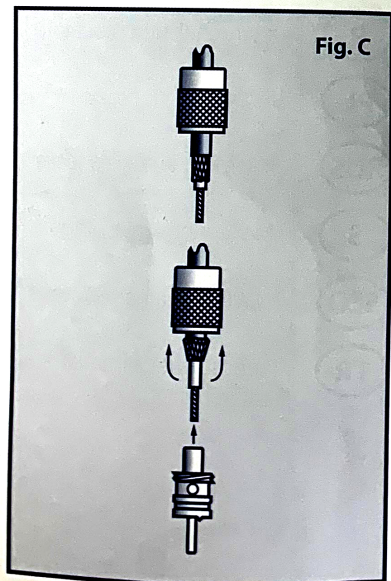
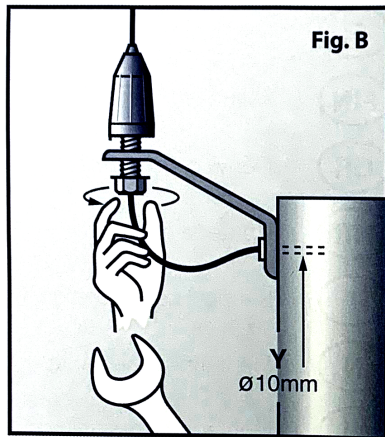
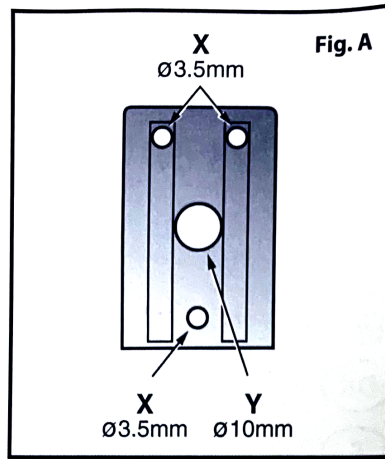
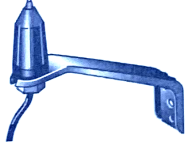


V-Tronix

Whipflex Antenna

- GB** Fitting instructions
- D** Montageanleitung
- DK** Monteringsinstruktioner
- E** Instrucciones de montaje
- F** Instructions d'installation
- FIN** Asennusohjeet
- GR** Οδηγίες τοποθέτησης
- HR** Upute za montažu
- I** Istruzioni per il montaggio
- N** Monteringsveiledning
- NL** Montage-instructies
- P** instruções de colocação
- PL** Instrukcja montażu
- RUS** Инструкция по установке
- S** Monteringsanvisningar
- SLO** Navodila za namestitev
- TR** yerleştirme talimatları



GB

Whipflex VHF Masthead Antenna

1. Select the highest position on the boat, ideally at the top of the mast, for maximum radio range and clear of any other apparatus such as revolving radar aerials, wind speed indicators and rigging. The bracket is designed for a vertical surface.
2. Use the bracket as a template guide and drill the 3 holes marked X to a 3.5mm diameter and the cable entry hole marked Y to a 10mm diameter. **Fig. A.**
3. Fit the bracket to the mast top with the screws supplied. Place the Antenna onto the bracket and screw the black nut onto the threaded shaft of the base; the wider, flat part of the nut to be against the underside of the bracket. Ensure that the base is correctly slotted into the bracket. Turn the nut figertight to the underside of the bracket and use a 25mm spanner to add a further ¼ turn to secure it tight. **Fig. B.**
4. Ensure that the plastic grommet is correctly placed on the cable near the antenna. Unscrew the PL259 radio plug from the cable end and remove the grommet near that plug. Thread the cable through the hole Y in the bracket centre and feed the cable down the mast. Leave a small loop of cable between the Antenna and the hole Y. Press the grommet firmly into the hole so that it holds the cable in place. **Fig. B.**
5. Thread the cable out at the bottom of the mast through a pre-drilled 10mm hole and fit the other grommet supplied. For easy un-stepping of the mast and withdrawal of the cable from the radio, fit a V-Tronix ACC 105 Deck Connector, following the instructions in that pack. (Ensure the cable end is waterproofed in storage).
6. Feed the cable to the radio using the shortest possible route, avoiding anything that may damage the cable. Leave a short length of cable for access to the radio and cut off any surplus. Re-connect the PL259 plug as in **Fig. C.**

Note: To check continuity, there should be a 10k ohm resistance between the cable inner conductor and the outer sheath.